



GSM/UMTS/LTE ANTENNA

Antenna LTE Connector Mount FLAT 5,
690-2700 MHz, 3 dBi, SMA(m), IP68

AO-ALTE-SMA5

SECTRON company offers wide portfolio GSM/UMTS/LTE antennas with various versions differing in shape, level of gain or attachment manner. SECTRON guarantees compatible connection between antenna and all antenna adaptors produced by SECTRON.



BENEFITS

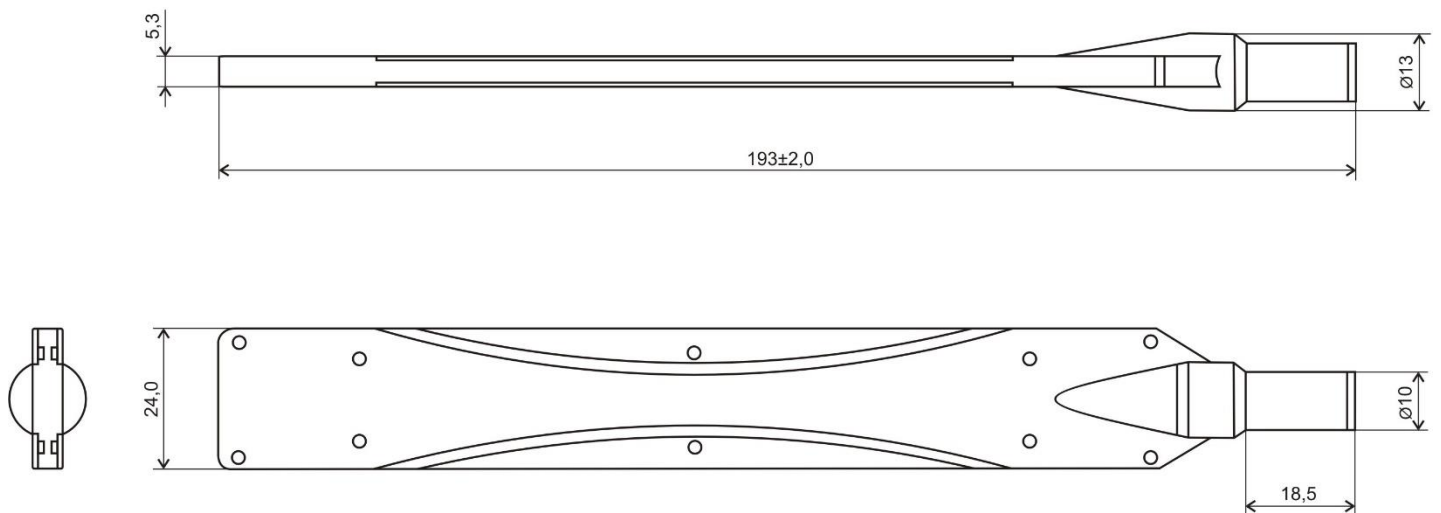
- Easy installation
- No cable required
- High frequency range
- IP 68

FEATURES

AO-ALTE-SMA5

Technology	GSM/UMTS/LTE
Frequency bands	800/900/1800/1900/2100/2600 MHz
Bandwidth	-
Gain	3 dBi
VSWR	<2.0:1
Impedance	50 Ohm
Directivity	Omnidirectional
Beam angle	H 360° V 30°
Polarization	Linear
Maximum input power	10 W
Power voltage	-
Dimensions	24 x 193 mm
Weight	28 g
Operating temperature	-30 to +80 °C
Execution	External
Method of attachment	Connector Mount
Cable type	-
The cable length	-
Connector type	SMA(m)
IP Code	IP68

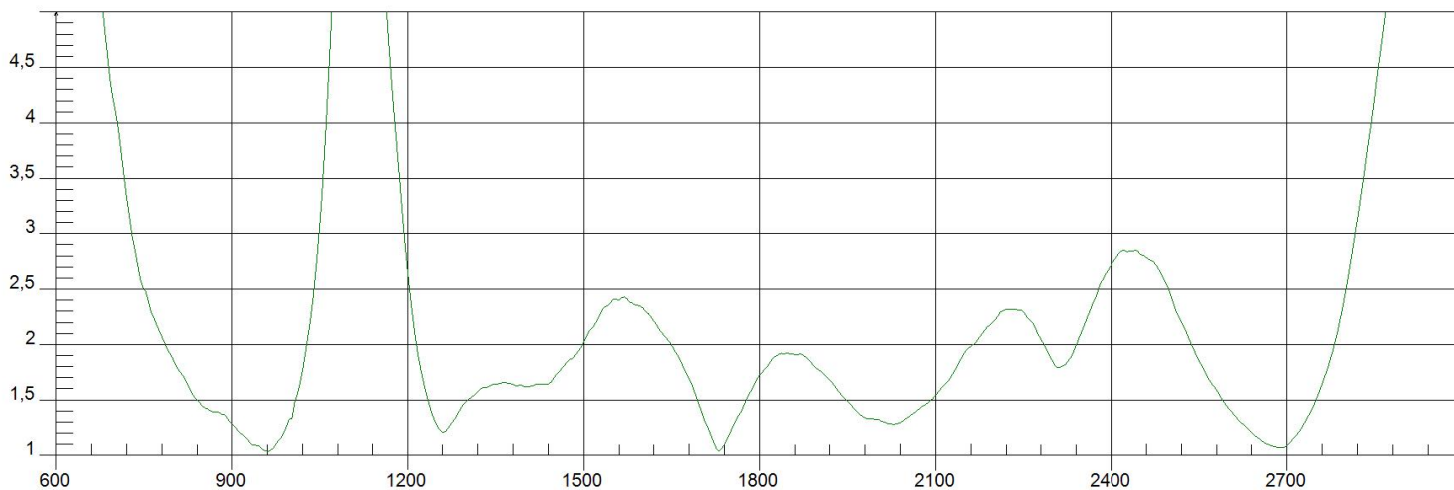
DRAWING



UNIT: mm

Frequency [MHz]	Peak gain [dBi]	VSWR 50 Ω
698-960	0	<2:1
1710-2170	1,5	
2300-2700	3	

VSWR
AO-ALTE-SMA5



Frequency(600 - 3000 MHz)

CONTACTS

SECTRON s.r.o. Josefa Šavla 1271/12
709 00 Ostrava 9 Czech Republic

WWW.SECTRON.CZ
Tel.: +420 556 621 020